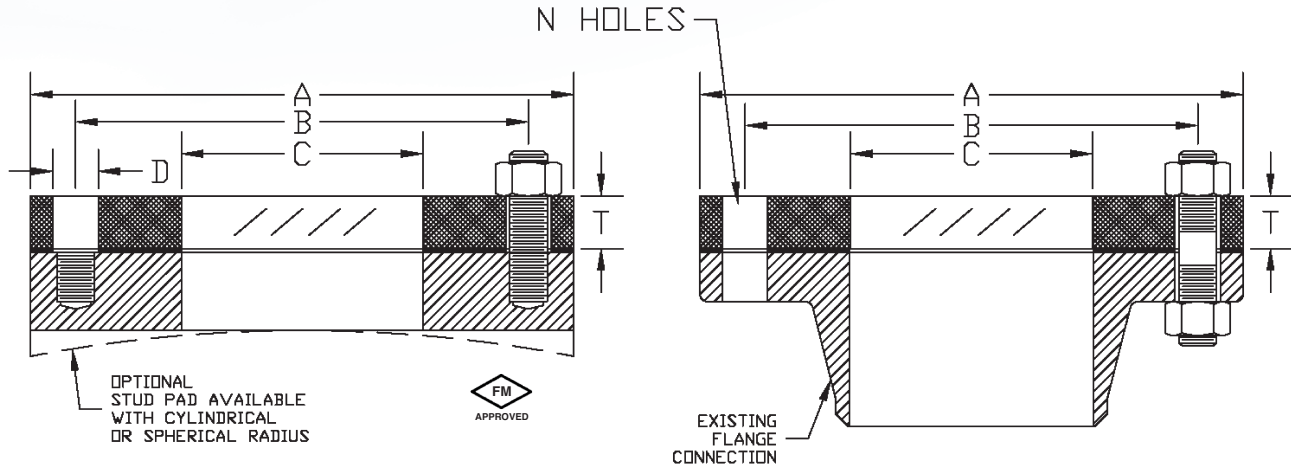


DuraPort Full Face Flange

Engineering Information:



150# ANSI SIZE	DIM A	DIM B	DIM C	DIM D	T	HOLES N
1 1/2	5	3 7/8	1 1/2	5/8	11/16	4
2	6	4 3/4	2	3/4	11/16	4
3	7 1/2	6	3	3/4	11/16	4
4	9	7 1/2	4	3/4	15/16	8
6	11	9 1/2	5 1/2	7/8	15/16	8
8	13 1/2	11 3/4	6 1/4	7/8	15/16	8

Note: All dimensions in inches.

Application requires flat-face flanges and full-face gaskets.

Above dimensions for 150# ANSI B16.5 flanges, different drillings such as DIN available upon request.

Consult PPC for custom sizes and materials.